



SINKS / 22

The history of the marbles and the colored Breccias is a visual story of wonder for the colors produced by nature and for the manmade works produced with these materials in the course of millennia.

Since Renaissance up to Contemporary Era the diffusion of colored marbles and polychrome Breccias has appointed, as educated statement of beauty, the dignity of place of worship, representative and luxury venues.

The collection **ACQUASANTA SINKS / 22** was born from the need to enhance the material aspect of the Breccia Medicea dell'Acquasanta in the composition of the sedimentary rock with the function of a contemporary design item for everyday use.

The sinks are made with a short supply chain manufacturing process from carefully selected blocks in the quarry and with a polished manual finish.

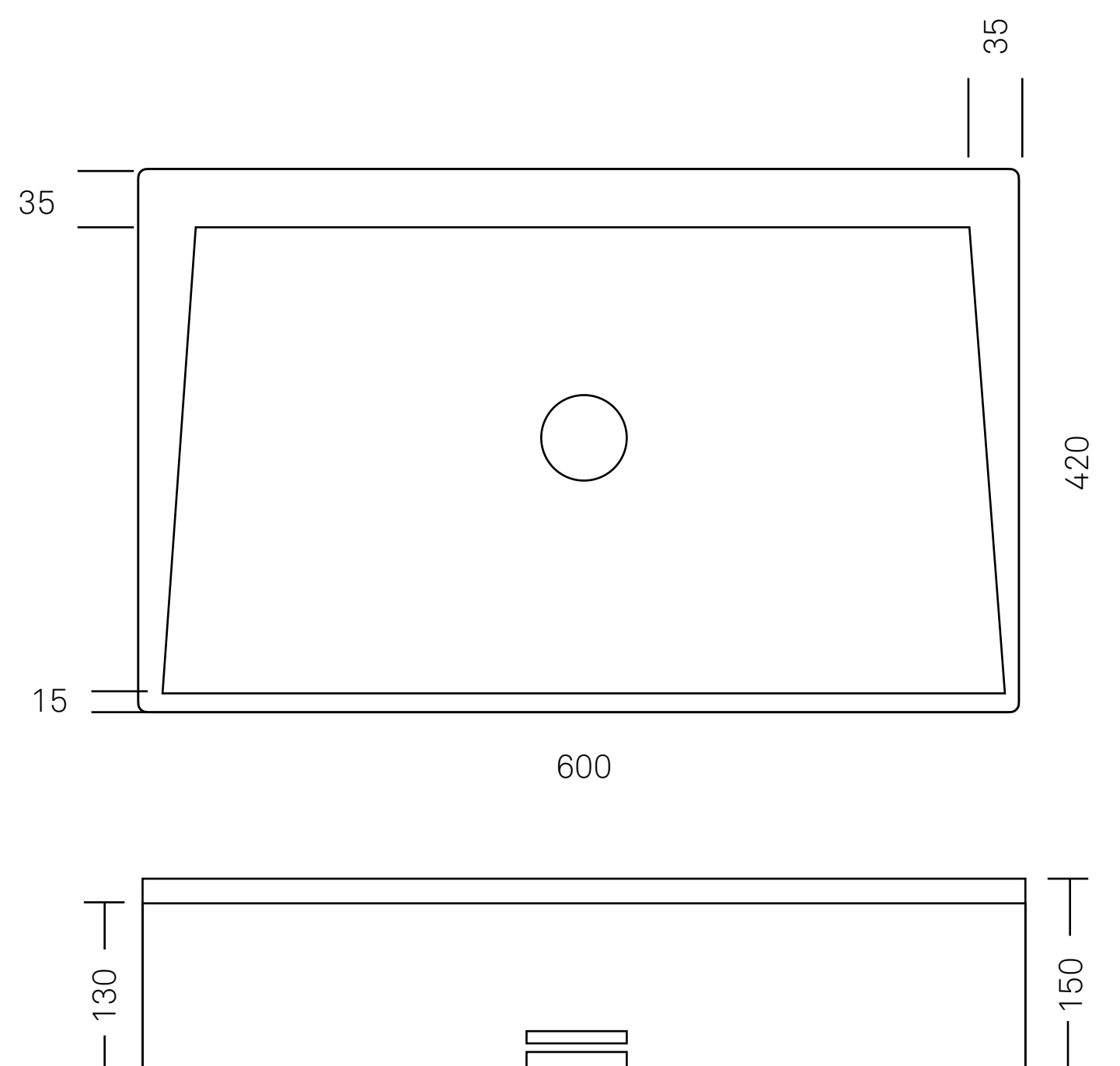
ACQUASANTA
SINKS / 22



AQ001



AQ001
60 x 42 x H.15 cm

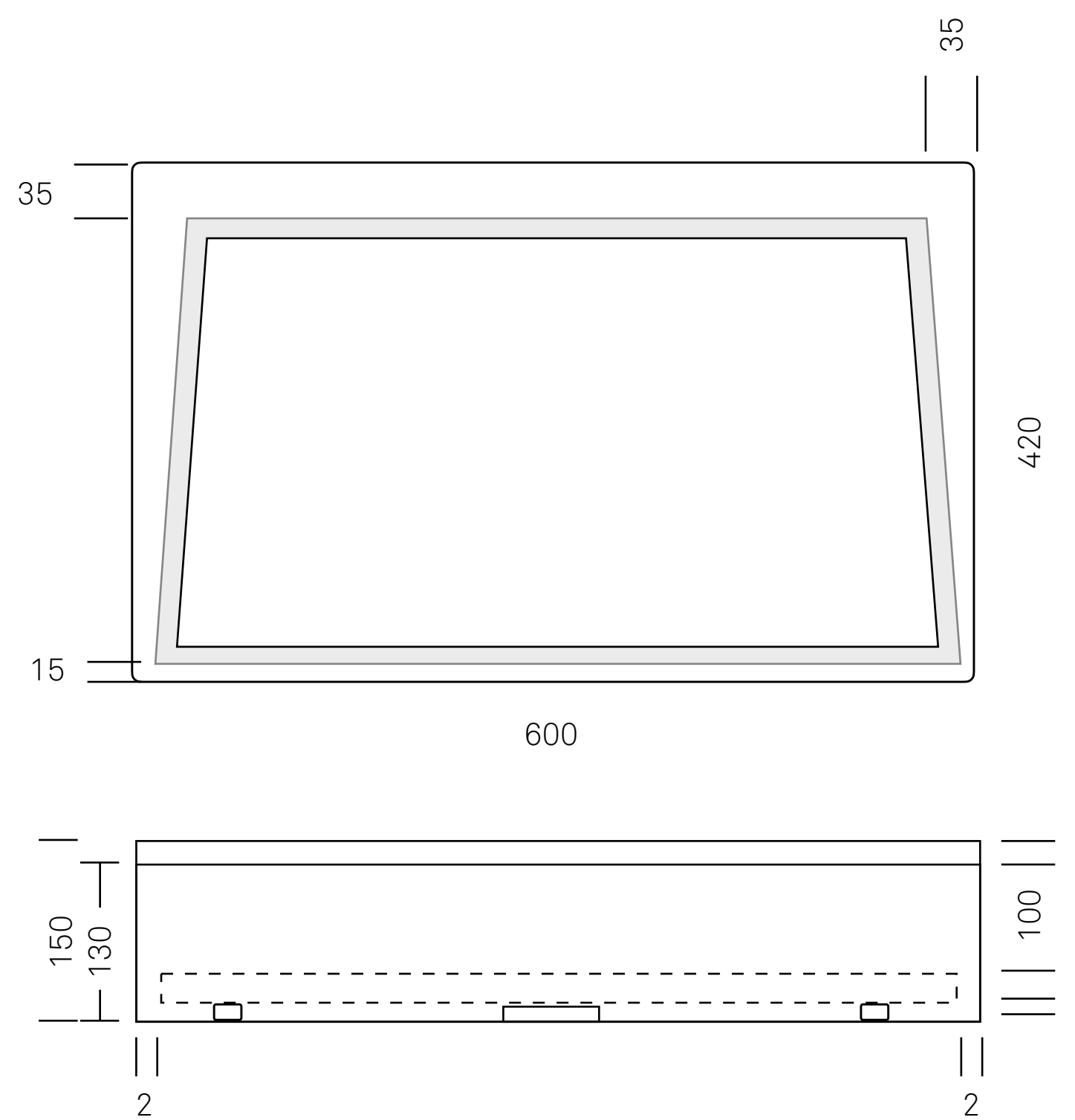




AQ002



AQ002
60 x 42 x H.15 cm

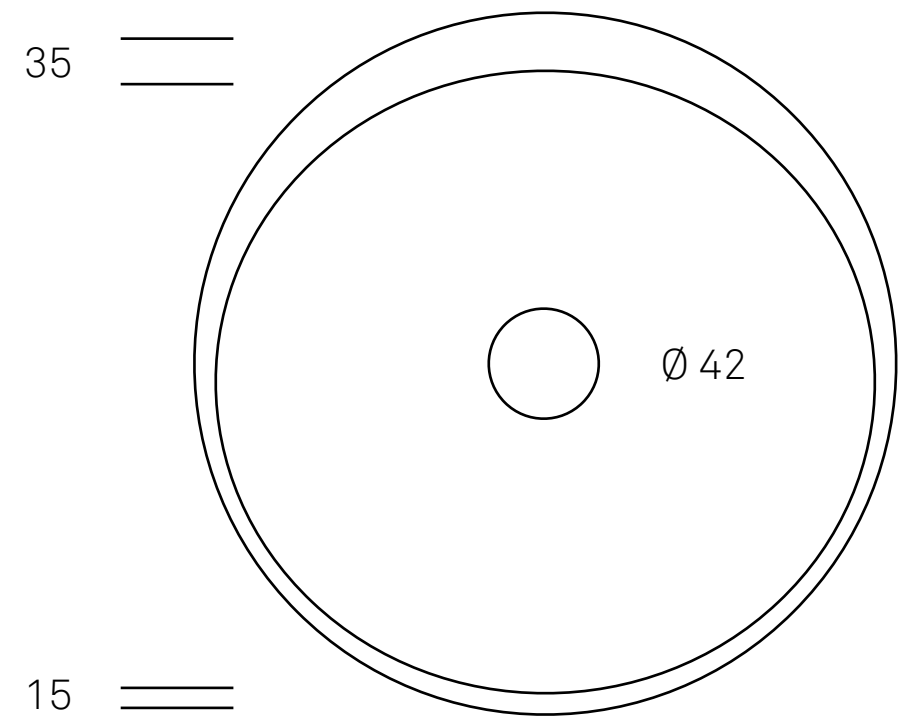
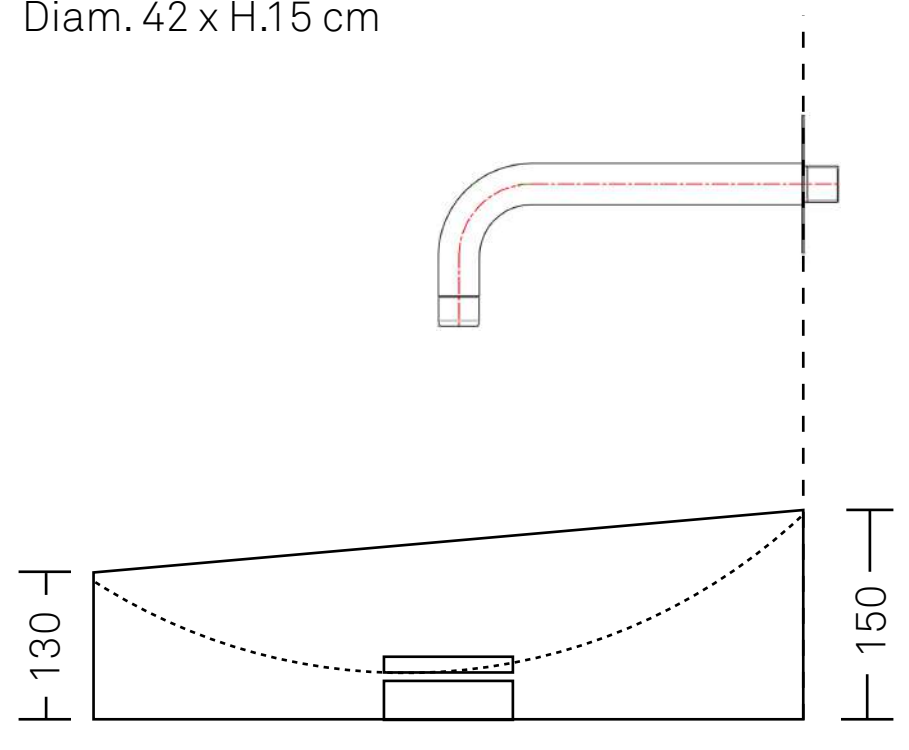




AQ003



AQ003
Diam. 42 x H.15 cm



Creative Direction, concept
and graphic design
Umberto Gabriele

Photo
Nicola Gnesi

Special Thanks
Fabio Moscato / advising
Henraux SPA / location
CEA Design / taps
Magazzini Bracchi / taps





www.brecciamedicea.com
www.acquasanta.eu